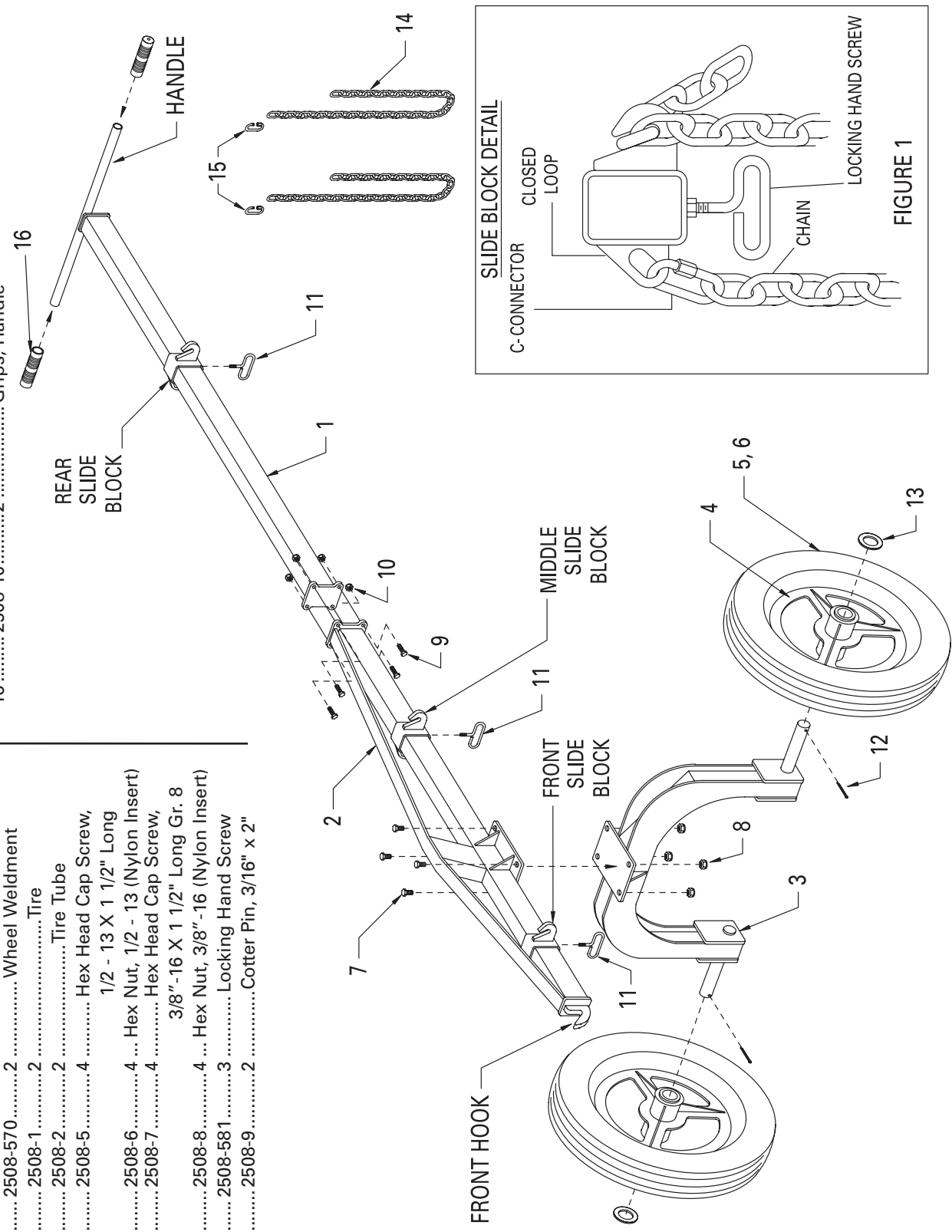


PARTS LIST — 2508 Pipe Hauler

ITEM #	PART #	QTY	DESCRIPTION
1	2508-558	1	Handle Frame Weldment
2	2508-560	1	Top Frame Weldment
3	2508-561	1	Axle Frame Weldment
4	2508-570	2	Wheel Weldment
5	2508-1	2	Tire
6	2508-2	2	Tire Tube
7	2508-5	4	Hex Head Cap Screw, 1/2 - 13 X 1 1/2" Long
8	2508-6	4	Hex Nut, 1/2 - 13 (Nylon Insert)
9	2508-7	4	Hex Head Cap Screw, 3/8" - 16 X 1 1/2" Long Gr. 8
10	2508-8	4	Hex Nut, 3/8" - 16 (Nylon Insert)
11	2508-581	3	Locking Hand Screw
12	2508-9	2	Cotter Pin, 3/16" x 2"

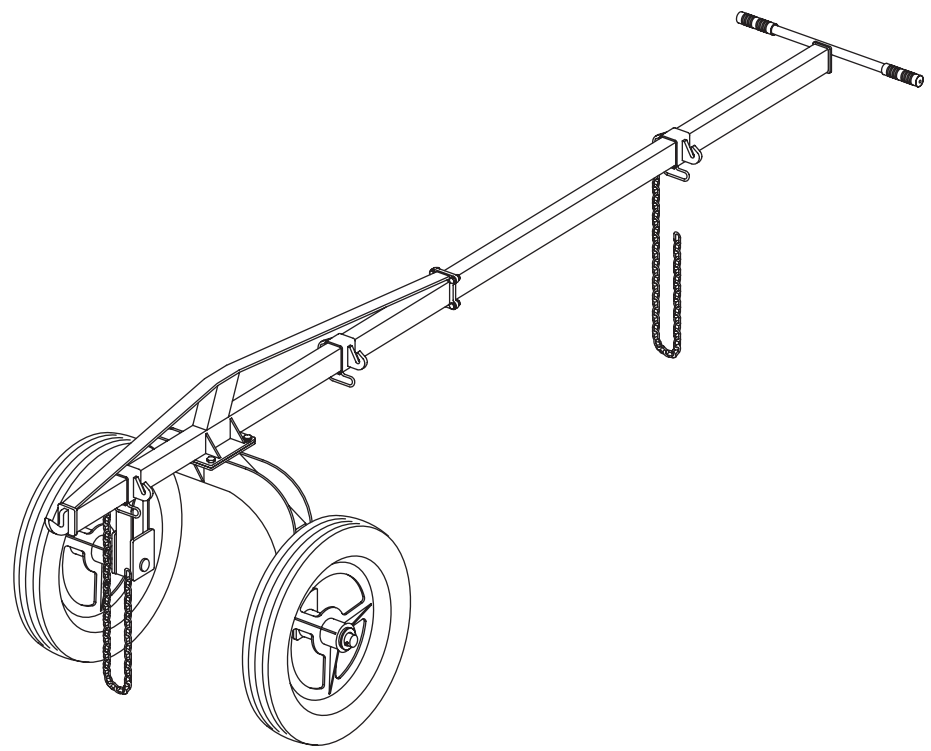
ITEM #	PART #	QTY	DESCRIPTION
13	2508-614	2	Washer
14	2508-3	2	Chain
15	2508-4	2	C-Connector
16	2508-10	2	Grips, Handle




EXPLODED VIEW — 2508 Pipe Hauler

JACKSON

Model 2508 YARD DOG™ PIPE HAULER



Assembly, Operating, Safety, and Parts Manual



Read and understand this material before operating or servicing the Pipe Hauler. Failure to understand how to safely operate and service this unit may result in property damage, personal injury or death.

This manual is free of charge. All personnel who assemble or operate this equipment should have a copy of this manual and read and understand its contents. To request a copy, call or write to the address below.

JACKSON TOOL, INC. • P.O. BOX 5701 • GREENVILLE, SC 29606
 877.522.8995 or 864.244.2544 • FAX 864.244.2128 • www.jacksontoolinc.com

SPECIFICATIONS — 2508 Pipe Hauler

- width** – 35 1/2"
- height** – 40 3/4"
- weight** – 184 lbs.
- capacity** – diameter - 20" pipe up to 20' long maximum
 - weight - 2000 lbs. maximum

IMPORTANT SAFETY INFORMATION

- ALWAYS inspect all assembly bolts prior to using pipe hauler. Tighten as needed.
- ONLY use the pipe hauler for its intended purpose.
- NEVER alter or weld on any part of the pipe hauler.
- ALWAYS inspect chain assemblies for wear prior to using pipe hauler. NEVER alter the chain assemblies or connectors.
- DO NOT exceed load rating of pipe hauler.
- DO NOT attempt to haul loads larger than 20" in diameter.
- ALWAYS use the pipe hauler on a firm, level surface.
- ALWAYS keep pipe hauler under control when transporting a load.
- ALWAYS insure load is properly secured prior to moving pipe hauler.
- ONLY one length of pipe should be hauled at a time.

ASSEMBLY INSTRUCTIONS — 2508 Pipe Hauler

The following assembly will require two persons for quick, easy set up.

NOTE: Refer to Parts List and Exploded View on Page 4 for item numbers.

1. Place the handle frame weldment (Item #1) and the top frame weldment (Item #2) on a flat surface and align the four bolt holes of each mounting plate. See exploded view on Page 4. Bolt together using the four 3/8" hex head cap screws & nuts (Item #9 & Item #10).
2. Attach the axle frame weldment (Item #3) to the top frame weldment (Item #2) using the four 1/2" hex head cap screws & nuts (Item #7 & Item #8).
3. Slide the wheel assemblies (Items #4, #5 & #6) onto the axles and install washers (Item #13) and secure with cotter pins (Item #12).
4. Install the three locking hand screws (Item #11) as shown in exploded view on Page 4.
5. Install the two c-connectors (Item #15) and chains (Item #14) to the closed loop on the slide blocks as shown in Figure 1 on Page 4.

NOTE: The front chain assembly should always remain on the slide block closest to the front hook. Depending on the length of the pipe, the other chain assembly can be interchanged between the middle slide block and the rear slide block. See exploded view on Page 4.

Always insure c-connectors are completely threaded closed before use.

6. Check to insure that all bolts are tightened. The Yard Dog™ is now ready for use.

OPERATING INSTRUCTIONS



The Yard Dog™ Pipe Hauler will require more than one person to secure and unhook certain loads. Once load is secured, one person can transport loads up to 2000 lbs.

1. Place a 2" x 4" board beside the pipe. Using the front hook, lift and swing the pipe onto the board. (See Figure 1.)
2. Next, straddle the pipe with the pipe hauler. Lower the front end of the pipe hauler toward the pipe and sling the front chain under the end of the pipe supported by the board. Pull chain tight and attach to the hook on the opposite side of the front slide block. (See Figure 2.)



figure 1

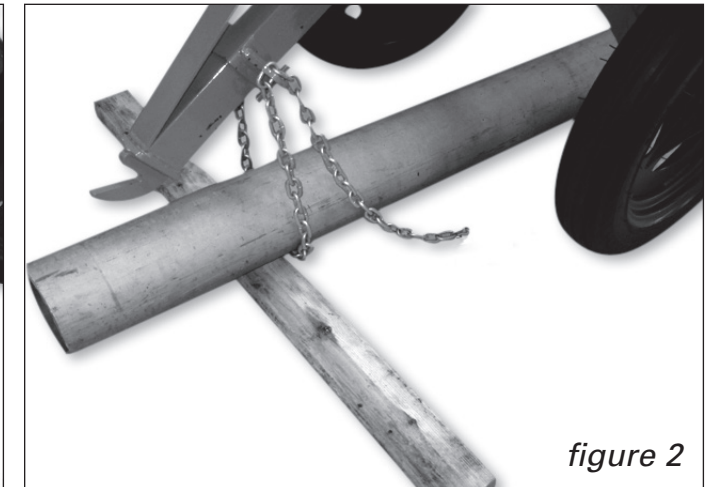


figure 2

3. With front chain secure, lower the handle end of the pipe hauler to the ground. Sling the second chain under the pipe. Pull chain tight and attach to hook on opposite side of the slide block as shown in Figure 3 below and Figure 1 on Page 4.

NOTE: The front chain assembly should always remain on the slide block closest to the front hook. Depending on the length of the pipe, the other chain assembly can be interchanged between the middle slide block and the rear slide block. See exploded view on page 4.

Always insure c-connectors are completely threaded closed before use.

4. In order to spread the load weight evenly, position the center of the pipe between the two tires. See Figure 4 below. With pipe in this position, one person can transport loads up to 20' long and up to 2000 lbs.

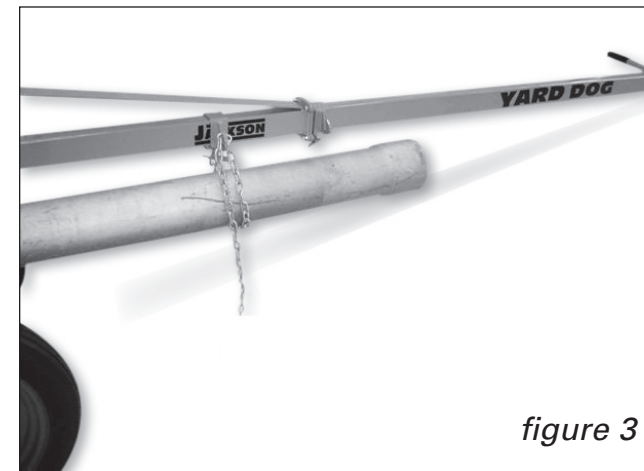


figure 3

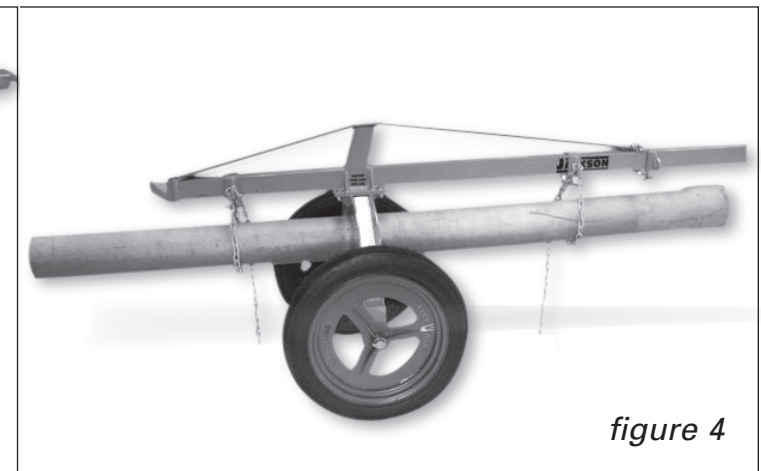


figure 4