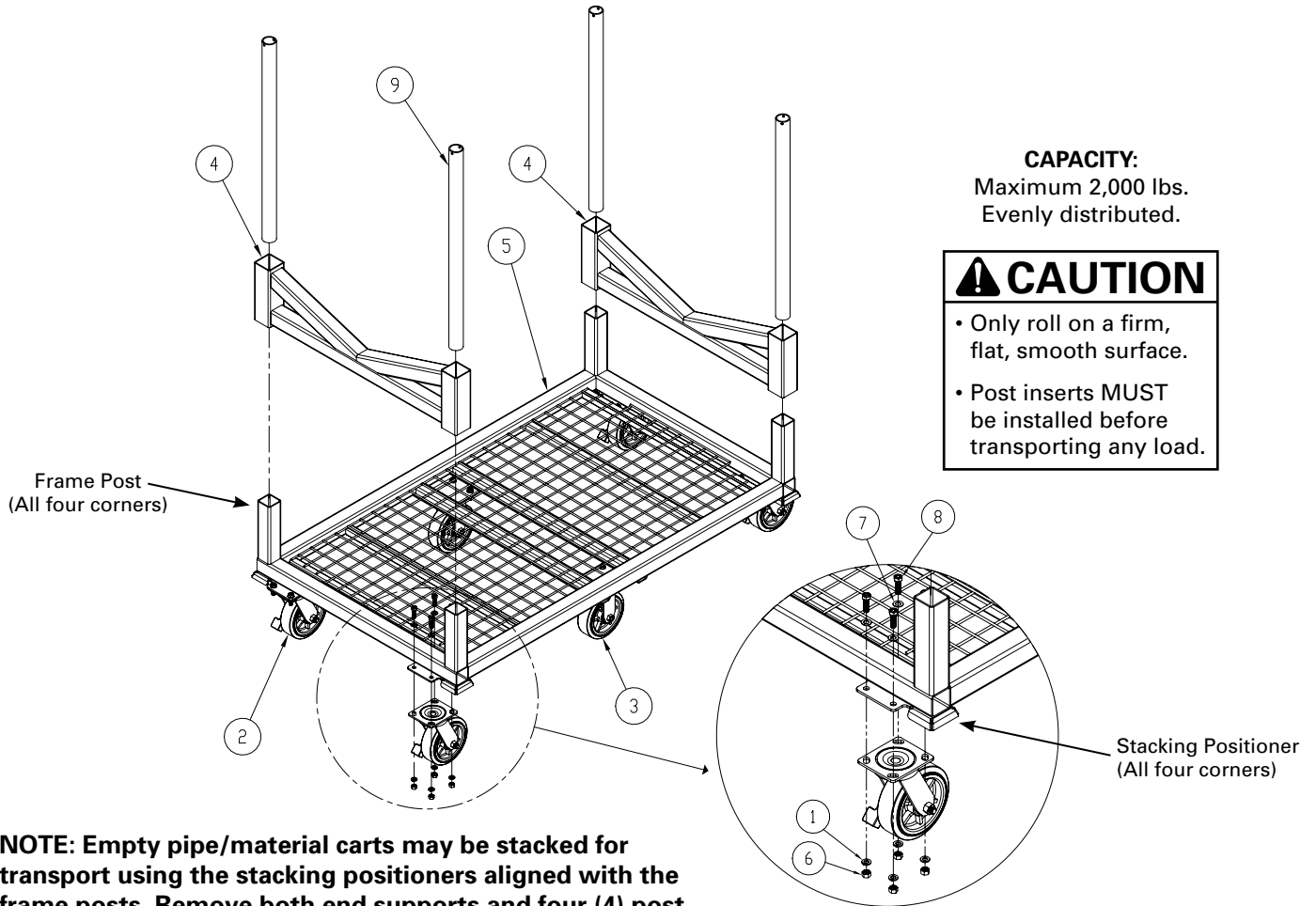


JACKSON

Model 5080 Pipe/Material Cart



CAPACITY:
Maximum 2,000 lbs.
Evenly distributed.

CAUTION

- Only roll on a firm, flat, smooth surface.
- Post inserts **MUST** be installed before transporting any load.

NOTE: Empty pipe/material carts may be stacked for transport using the stacking positioners aligned with the frame posts. Remove both end supports and four (4) post inserts before stacking carts.

INSTRUCTION SHEET AND PARTS LIST

PARTS LIST — 5080 PIPE/MATERIAL CART

ITEM#	PART#	QTY	DESCRIPTION
1	536-5	24	3/8 LOCK WASHER
2	5080-001	4	CASTER – SWIVEL
3	5080-002	2	CASTER – FIXED
4	5080-112	2	PIPE SUPPORT
5	5080-113	1	FRAME

ITEM#	PART#	QTY	DESCRIPTION
6	5633WC-040	24	3/8 HEX NUT
7	5633WC-041	24	WASHER – FLAT 3/8 (USS) ZINC
8	5633WC-042	24	SCREW – HEX HEAD CAP GR5 ZINC (3/8-16 × 1.25)
9	5080-114	4	POST INSERT



Read and understand this material before operating the Pipe/Material Cart. Failure to understand how to safely operate this Pipe/Material Cart may result in injury or property damage.

This manual is free of charge. All personnel who operate the Pipe/Material Cart should have a copy of this manual and read and understand its contents. To request a copy, call or write to the address below.

JACKSON TOOL • P. O. BOX 5701 • GREENVILLE, SC 29606
877-522-8995 or 864-721-4235 • FAX 864-721-4236 • www.jacksonstoolinc.com