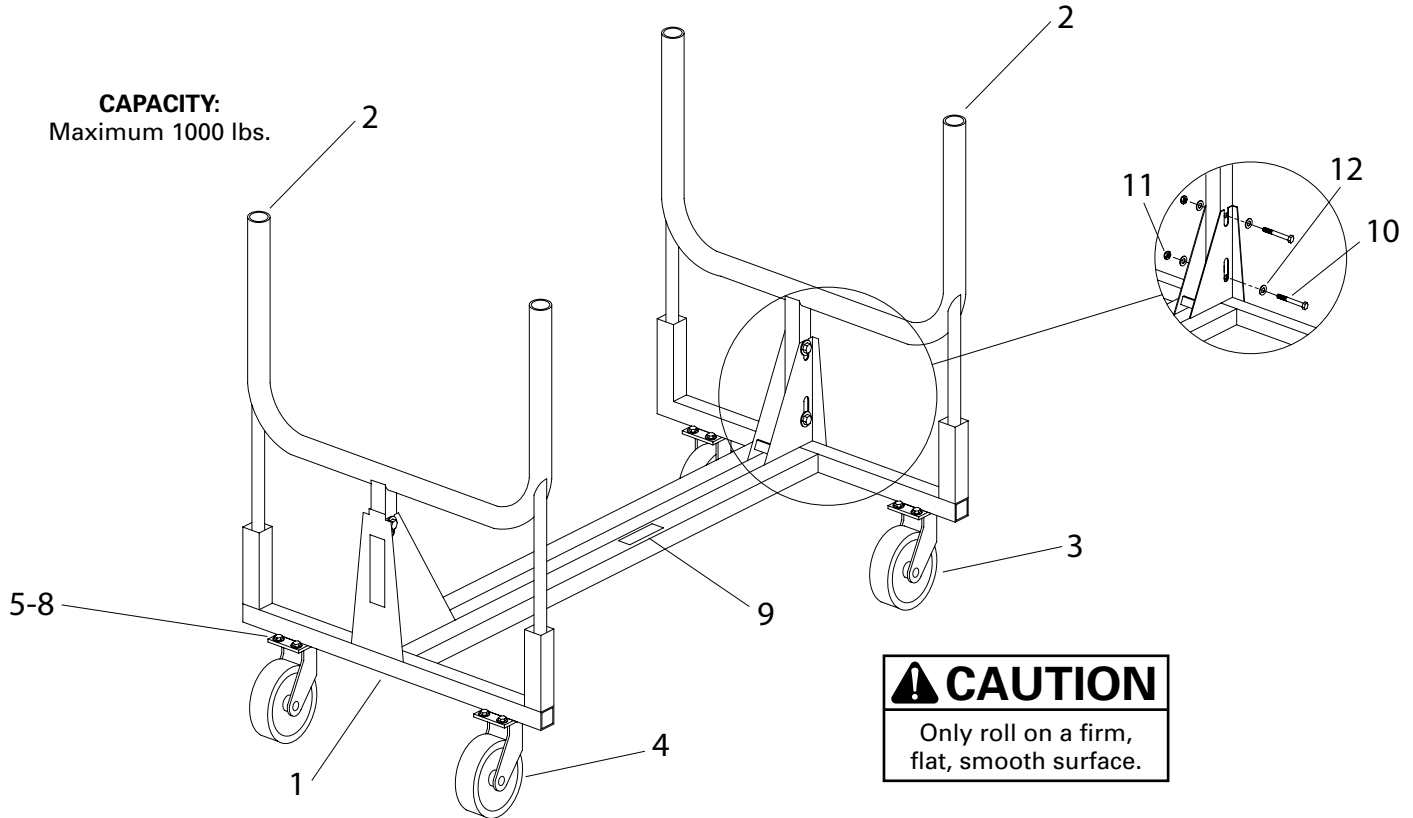


JACKSON

Model 5070 Conduit Bundler

CAPACITY:
Maximum 1000 lbs.



CAUTION
Only roll on a firm, flat, smooth surface.

INSTRUCTION SHEET AND PARTS LIST

PARTS LIST — 505 CONDUIT RACK

ITEM#	PART#	QTY	DESCRIPTION	ITEM#	PART#	QTY	DESCRIPTION
1	5050-245	1	BASE	7	536-5	16	WASHER, LOCK
2	5070-247	2	ARM	8	5633WC-040	16	NUT, HEX, 3/16-16
3	5633WC-047	2	CASTER, RIGID	9	5070-1	1	DECAL
4	5633WC-046	2	CASTER, SWIVEL	10	5050-3	4	SCREW, HEX HEAD CAP 1/2-13 x 3"
5	5633WC-042	16	SCREW, HEX HEAD CAP 3/8-16 x 1-1/4"	11	5050-4	4	NUT, HEX, 1/2-13 THIN NYLON INSERT
6	5633WC-041	16	WASHER, FLAT	12	5050-2	8	WASHER, FLAT



Read and understand this material before operating the Conduit Bundler. Failure to understand how to safely operate this Conduit Bundler may result in injury or property damage.

This manual is free of charge. All personnel who operate the Conduit Bundler should have a copy of this manual and read and understand its contents. To request a copy, call or write to the address below.

JACKSON TOOL • P. O. BOX 5701 • GREENVILLE, SC 29606
877-522-8995 or 864-721-4235 • FAX 864-721-4236 • www.jacksonstoolinc.com